

Installation Guide

ProFace X

Version: 1.0

Date: August 2025

1 Installation Environment

Please refer to the following recommendations for installation.



KEEP DISTANCE



AVOID GLASS REFRACTION



AVOID DIRECT SUNLIGHT AND EXPOSURE



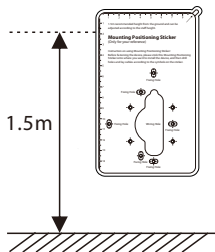
AVOID USE OF ANY HEAT SOURCE NEAR THE DEVICE

2 Device Installation

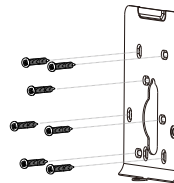
❖ Install on the Wall

- ① Attach the mounting template sticker to the wall, and drill holes according to the mounting paper.
- ② Fix the back plate on the wall using wall mounting screws.
- ③ Attach the device to the back plate.
- ④ Fasten the device to the back plate with a security screw.

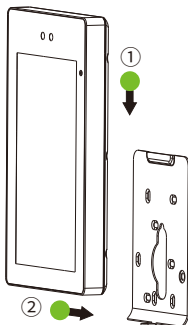
①



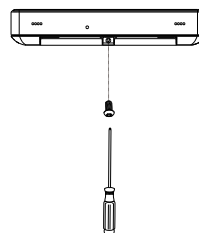
②



③



④

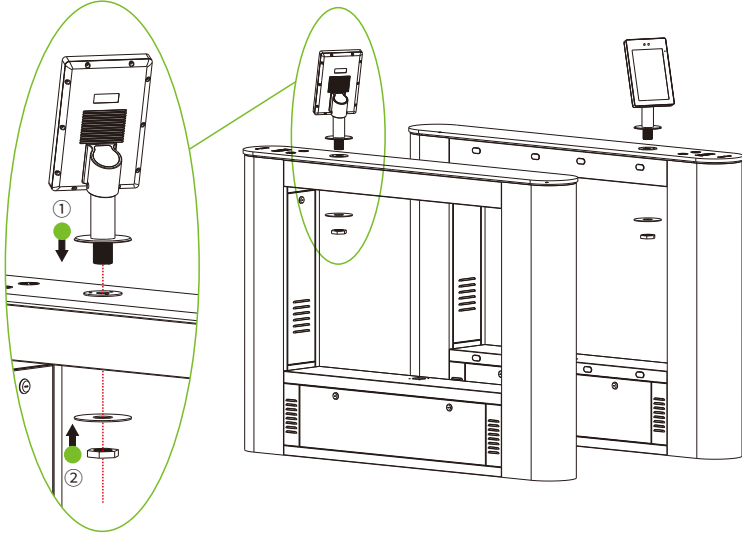


❖ Install on the Barrier Gate

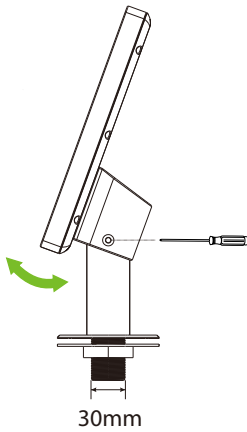
Please thread the wire through the bracket before installation.

- ① Drill a hole on the barrier gate, insert the bracket into the hole and fix it with a nut.
- ② Adjust the angle of the device.

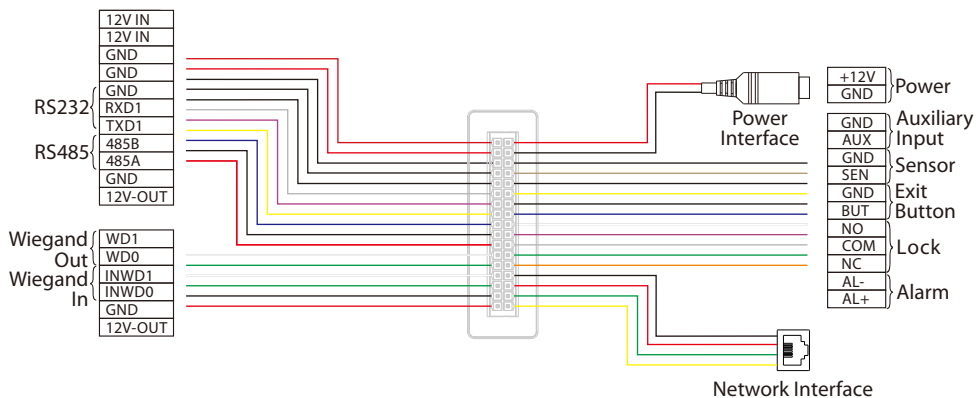
①



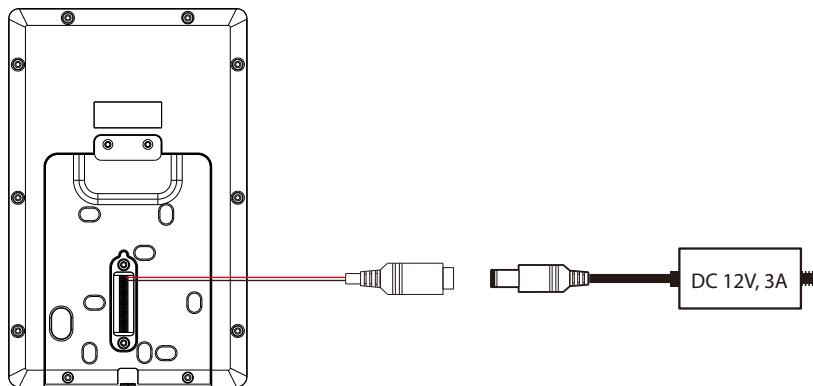
②



3 Terminal Block



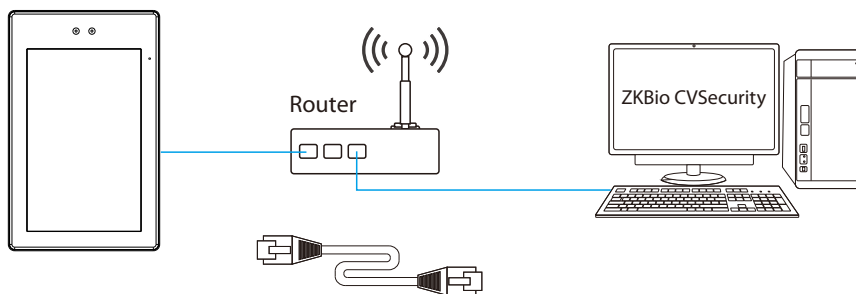
4 Power Connection



- Recommended AC Adapter: 12V - 3A
- To share the power with other devices, use a power supply with higher current ratings.

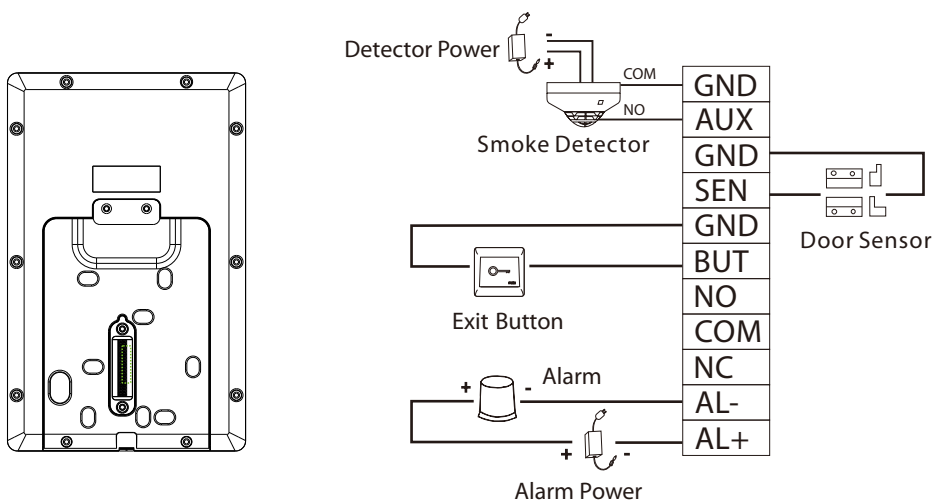
5 Ethernet Connection

Connect the device and computer software over an Ethernet cable. An example is shown below:



Enter [COMM.] > [Ethernet] to set the relevant parameters of network.

6 Door Sensor, Exit Button & Alarm Connection



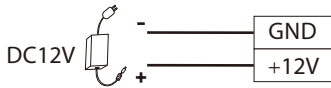
7 Lock Relay Connection

The system supports Normally Opened Lock and Normally Closed Lock.

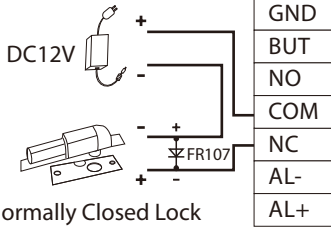
The NO LOCK (normally unlocked when power-on) is connected with 'NO' and 'COM' terminals, and the NC LOCK (normally locked when power-on) is connected with 'NC' and 'COM' terminals.

Take NC Lock as an example below:

1) Device not sharing power with the lock



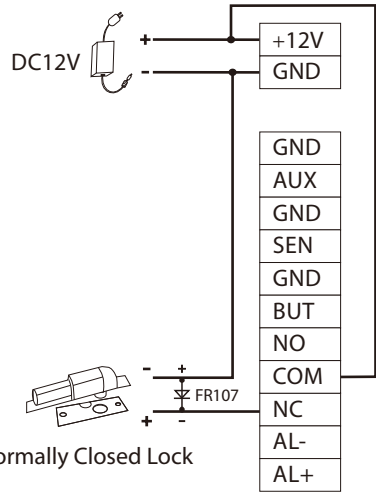
Maximum 30V 3A input.



Normally Closed Lock

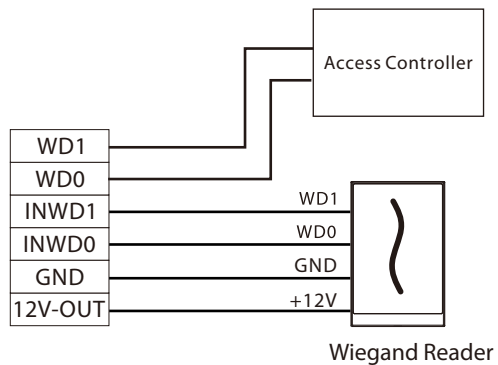
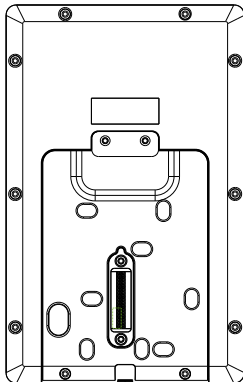
Do not reverse the polarity.

2) Device sharing power with the lock

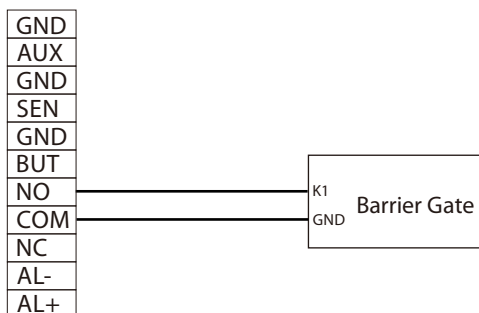
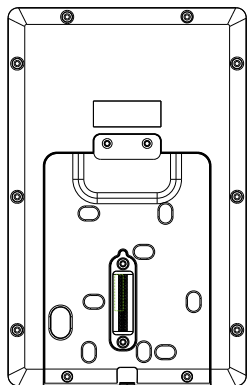


Normally Closed Lock

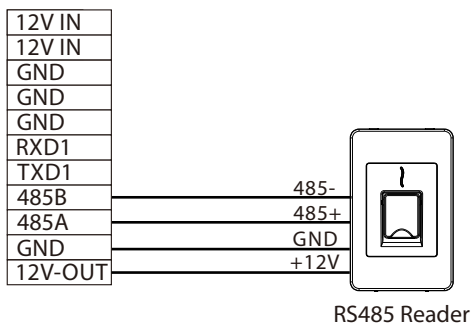
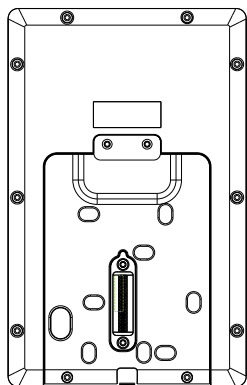
8 Wiegand Connection



9 Barrier Connection



10 RS485 Connection



11 Download Center

Scan the QR Code to download the **User Manual**, **Installation Guide** and **Quick Start Guide**.



QR Code (Download Center)

Green Label

ZKTeco Industrial Park, No. 32, Industrial Road,
Tangxia Town, Dongguan, China.

Phone : +86 769 - 82109991

Fax : +86 755 - 89602394

www.zkteco.com



Copyright©2025 ZKTECO CO., LTD. All rights reserved.